

SEWER LATERAL CONNECTION PACKAGE

A. 4" & 6" Diameter Sewer Services, for single domestic line applications only. (Excluding development applications)

1. Property owner identifies whether new sewer laterals are needed to service the property. The owner may contact the Authority to check for prior installation.
2. Property owner contracts for the construction of the sewer lateral installation.
3. An application is to be completed and submitted to the LEHMUA. The application will be approved upon receipt of the following:
 - a) Form Utility Service Installation Application
 - b) Certificate of Insurance in which the LEHMUA and Authority Engineer (if applicable) are named as additional insured
 - c) Hold Harmless Agreement Indemnifying the LEHMUA and Authority Engineer (if applicable)
 - d) Copy of Valid Road Opening Permit
 - e) Underground mark-out confirmation number
 - f) Connection Fee Paid
4. The property owner or contractor is to contact the Authority 72 hours in advance of the scheduled excavation.
5. The contractor is to remove the pavement and excavate to the main, carefully exposing the pipe for the tap. The excavation is to meet OSHA and PEOSHA standards.
6. The Authority will supply up to a four (4) inch saddle for installation.
7. The property owner/contractor is to construct the service from the tap to the curb line and set the clean-out or curb stop and box. See attached specifications for acceptable curb stops.
8. The inspection services provided by the Authority will be for the excavation near pipelines, constructing the service line and backfilled 2' above the pipeline.
9. The property owner/contractor is responsible to backfill, compact, and pave the roadway in accordance with the Road Opening Permit from the Township, County, or State.

B. SEWER SERVICE LINE INSTALLATIONS PACKAGE

1. Utility Service Installation Package
2. Indemnification
3. Insurance Certificate Requirements

C. SEWER SERVICES

4" and 6" Diameter-Material and Installation Specifications
(SEE PLATES 17, 18, AND 19 WHICH ARE ATTACHED FOR FURTHER DETAIL)

a. Description

Sewer laterals shall include the excavation and backfill for and the construction of sanitary sewer laterals for conveying sanitary sewage from a private property to the sewer main, including all restoration.

b. Materials

1. Sewer Lateral Pipe Main to Curb

The sewer lateral pipe shall be SDR-35 Polyvinyl Chloride (PVC) with push-on watertight joints, meeting ASTM 3034 as manufactured by the following:

- a. CertainTeed, Valley Forge, PA
- b. J-M Manufacturing Co., Livingston, NJ
- c. National Pipe & Plastics, Hyde Park, NY
- d. Or equal

2. Saddles

The Authority will supply up to a four (4) inch saddle for installation.

3. Clean-outs

The clean-out wye shall be a wye and a 45° street El, designed for use with the lateral pipe, as manufactured by:

- a. CertainTeed, Valley Forge, PA
- b. J-M Manufacturing Co., Livingston, NJ
- c. National Pipe & Plastics, Hyde Park, NY
- d. Or equal

4. Fittings

Fittings shall be as required and be manufactured for use with the pipe used. The fitting shall be Polyvinyl Chloride (PVC) SDR-35, with push-on joints, meeting ASTM F477.

5. Tracer Wire

Eight (8) Gauge Green Jacketed Tracer Wire is required to be run from the tap on the main along the sewer lateral to the top of the cleanout lid as per the specifications contained within the rules and regulations.

c. Methods of Construction

1. General

All materials installed shall be new which have at no time previously been used for any purpose whatsoever.

2. Excavation and Backfill

Shall be as specified in the Road Opening Permit. The depth of the clean-out shall be a minimum of three (3) feet and a maximum of eight (8) feet.

3. Handling

All pipe and fittings shall be handled in such a manner to insure undamaged delivery and installation.

4. Tapping

To be performed ONLY by an authority approved the Contractor.

5. Laying Pipe

The pipe shall be laid accurately to line and grade. Minimum slope shall be two (2) percent. Blocking or supporting of pipe by concrete, stones, bricks, wooden wedges, or other similar methods shall not be permitted. Each length of pipe shall be shoved home against the pipe previously laid and held securely in position.

All laterals from the house side must be connected to the wye at the rear base of the fitting.

The vertical clean-out standpipe shall be one piece, from the wye to the cap. The clean-out shall be set at the proposed finished grade of the property. The clean-out cap shall be a threaded counter sunk brass cap.

The clean out shall be located in the right-of-way or near the curb line. Clean outs are not permitted in sidewalks, driveways, concrete, blacktop, brick pavers, etc.

6. Location

The sewer lateral shall be located a minimum of five (5) feet away from other utilities. The pipe shall be laid perpendicular to the sewer main, unless otherwise permitted.

LITTLE EGG HARBOR MUNICIPAL UTILITIES AUTHORITY
823 RADIO ROAD, P.O. BOX 660
LITTLE EGG HARBOR, NJ 08087
609-296-1168

UTILITY SERVICE INSTALLATION APPLICATION
4" & 6" DIAMETER SEWER SERVICES AND 1" TO 2" DIAMETER WATER SERVICES

Premises to be connected: Block _____ Lot _____ Qual _____
 SERVICE ADDRESS: _____
 Name of Owner: _____ Phone No. _____
 Mailing Address: _____

WATER DEPOSIT	SEWER DEPOSIT
Connection Fee Paid _____	Connection Fee Paid _____
Inspection Fee Paid _____	Inspection Fee Paid _____
Check No. _____ Cash _____	Check No. _____ Cash _____

Service Size to Be Installed _____ Service Size to Be Installed _____

It is understood and agreed that the applicant/property owner has elected to install a SEWER and/or WATER service and that same will be installed at the sole expense of the applicant/property owner with no cost attaching to the Authority. The installation shall be made by a utility contractor. It is also agreed that the Authority shall be the sole owner of the sewer and water services constructed from the main line to the property line/curb after it has been approved by the Authority.

The applicant/property owner is responsible for obtaining the necessary road opening permit(s) for construction of said service(s). A copy of the road opening permit(s) must be provided to the Authority before this application can be approved.

APPLICANT MUST CONTACT THE AUTHORITY to schedule an appointment for the inspection of the installation of the service(s) a minimum of 72 hours before construction begins. The LEHMUA will require a \$500.00 inspection fee per service (\$500 for water and \$500 for sewer). Any additional charges beyond this fee will be billed to the property owner of record.

CONTRACTOR INSTALLING SERVICE(S) _____

Emergency Telephone Number of Contractor _____

CONTRACTOR PERFORMING INSTALLATION OF SERVICE(S) MUST SUBMIT A CERTIFICATE OF INSURANCE BEFORE APPLICATION CAN BE APPROVED. Attached is a copy of the Insurance Requirements.

The property owner shall hold the Authority harmless by reading, agreeing to, and executing the Indemnification on the back of this application.

SIGNATURE OF PROPERTY OWNER _____ **DATE** _____

FOR OFFICIAL USE ONLY

LEHMUA Account No. _____
 Date Service Installation Application Received: _____
 Township, County, or State Road Opening Permit No: _____ Date Received: _____
 Date Certificate of Insurance Received: _____ Indemnification Signed _____
 Underground Mark-out Confirmation No. _____

_____ **Date Approved by LEHMUA** _____ **LEHMUA Approval Signature**

APPOINTMENT SCHEDULED

(WATER)		(SEWER)	
Date _____	Time _____	Date _____	Time _____
Scheduled Date _____	Initials _____	Scheduled Date _____	Initials _____

INDEMNIFICATION

The permittee or their contractor shall defend, indemnify and save harmless, the Little Egg Harbor Municipal Utilities Authority from and against all losses, costs, damages, expense claims, or demands arising out of or caused or alleged to have been caused in any manner against claims arising from the operation of the permittee's contractor, subcontractor or agent's operations, by a defect in any equipment or materials supplied hereunder or by performing the permitted utility work herein provided, including all suits or actions of every kind of description brought against Little Egg Harbor Municipal Utilities Authority, either individually or jointly with the permittee for or on account of any damage or injury to any person or persons or property, caused or occasioned or alleged to have been caused by or on account of the performance of any work pursuant to or in connection with this permitted utility work or through any negligence or alleged negligence in guarding the work or through any act, omission or fault or alleged act, omission or fault of the permittee or their contractor, their employees or agents, or others under the permittee's control.

Signature of Property owner _____

Witness _____

TO: INSURANCE PRODUCER

Your client is required to provide a certificate of insurance to the Little Egg Harbor Municipal Utilities Authority for the coverage's and amounts indicated on the reverse side of this form. It is important to your client that you respond quickly since the installation of utility services depend upon valid insurance. Additionally, the minimum amount and type of coverage shown on this form is not negotiable and is not intended to imply that is all the insurance necessary to protect him/her from all losses or liability. It is the Little Egg Harbor Municipal Utilities Authority's policy to require all persons or Utility Contractors performing any water and or sanitary sewer utility service installations, repair operations or a service in. on. or upon any property/premises or facilities under the Authority's care, custody and control to maintain the insurance coverage described below: such insurance must be obtained prior to the start of any such work.

- A. Comprehensive General Liability (CGL)
This coverage must include: Premises-Operations. Products/Completed Operations Hazard. Contractual Insurance (Blanket Coverage). Broad Form Property Damage. Independent Contractors, and Personal Injury and all others shown on 'X' in the required column.

Minimum Coverage
Bodily Injury and Property Damage combined - as shown in the amount required column.

AMOUNTS OF LESS THAN \$1,000,000 WILL NOT BE ACCEPTABLE.

Contractual Insurance (Blanket Coverage)
Contractual Indemnification - Save Harmless Agreement which is incorporated into all Vouchers. General Purchase Agreements and Contracts.

- B. Automobile Liability - Comprehensive Form (As shown on C.O.I.)

Minimum Coverage
Bodily Injury and Property Damage combined – (Minimum \$1,000,000)

- C. Worker's Compensation - As required by New Jersey State Statute and
Employer's Liability (minimum \$100,000)

- D. Excess Liability
Commercial Umbrella Form - \$1,000,000 preferred.

- E. Other Coverage(s)
(As shown on C.O.I.)

Important - Producer:

THE CERTIFICATE MUST BE SIGNED BY THE AGENT OF THE INSURER OR CERTIFICATE WILL BE RETURNED.

IT IS NECESSARY TO SUBMIT YOUR CLIENT'S COVERAGE THIRTY (30) DAYS PRIOR TO THE EXPIRATION OF THE EXISTING COVERAGE ON OUR CERTIFICATE ONLY: ALL OTHERS WILL BE RETURNED TO THE SUPPLIER AND SERVE TO DELAY FUTURE BUSINESS DEALINGS BETWEEN THE OWNER AND YOUR CLIENT.



CERTIFICATE OF LIABILITY INSURANCE

DATE (MM/DD/YYYY)

THIS CERTIFICATE IS ISSUED AS A MATTER OF INFORMATION ONLY AND CONFERS NO RIGHTS UPON THE CERTIFICATE HOLDER. THIS CERTIFICATE DOES NOT AFFIRMATIVELY OR NEGATIVELY AMEND, EXTEND OR ALTER THE COVERAGE AFFORDED BY THE POLICIES BELOW. THIS CERTIFICATE OF INSURANCE DOES NOT CONSTITUTE A CONTRACT BETWEEN THE ISSUING INSURER(S), AUTHORIZED REPRESENTATIVE OR PRODUCER, AND THE CERTIFICATE HOLDER.

IMPORTANT: If the certificate holder is an ADDITIONAL INSURED, the policy(ies) must be endorsed. If SUBROGATION IS WAIVED, subject to the terms and conditions of the policy, certain policies may require an endorsement. A statement on this certificate does not confer rights to the certificate holder in lieu of such endorsement(s).

PRODUCER Sample	CONTACT NAME:	
	PHONE (A/C, No. Ext):	FAX (A/C, No):
	E-MAIL ADDRESS:	
	INSURER(S) AFFORDING COVERAGE	NAIC #
INSURED Sample	INSURER A :	
	INSURER B :	
	INSURER C :	
	INSURER D :	
	INSURER E :	
	INSURER F :	

COVERAGES

CERTIFICATE NUMBER:

REVISION NUMBER:

THIS IS TO CERTIFY THAT THE POLICIES OF INSURANCE LISTED BELOW HAVE BEEN ISSUED TO THE INSURED NAMED ABOVE FOR THE POLICY PERIOD INDICATED. NOTWITHSTANDING ANY REQUIREMENT, TERM OR CONDITION OF ANY CONTRACT OR OTHER DOCUMENT WITH RESPECT TO WHICH THIS CERTIFICATE MAY BE ISSUED OR MAY PERTAIN, THE INSURANCE AFFORDED BY THE POLICIES DESCRIBED HEREIN IS SUBJECT TO ALL THE TERMS, EXCLUSIONS AND CONDITIONS OF SUCH POLICIES. LIMITS SHOWN MAY HAVE BEEN REDUCED BY PAID CLAIMS.

INSR LTR	TYPE OF INSURANCE	ADDL INSR	SUBR WVD	POLICY NUMBER	POLICY EFF (MM/DD/YYYY)	POLICY EXP (MM/DD/YYYY)	LIMITS
	GENERAL LIABILITY						EACH OCCURRENCE \$ 1,000,000
	<input checked="" type="checkbox"/> COMMERCIAL GENERAL LIABILITY						DAMAGE TO RENTED PREMISES (Ea occurrence) \$
	<input type="checkbox"/> CLAIMS-MADE <input checked="" type="checkbox"/> OCCUR						MED EXP (Any one person) \$
	GEN'L AGGREGATE LIMIT APPLIES PER:						PERSONAL & ADV INJURY \$ 1,000,000
	<input type="checkbox"/> POLICY <input checked="" type="checkbox"/> PRO-JECT <input type="checkbox"/> LOC						GENERAL AGGREGATE \$ 2,000,000
	AUTOMOBILE LIABILITY						PRODUCTS - COMP/OP AGG \$ 1.0/2.0 Million
	<input type="checkbox"/> ANY AUTO						COMBINED SINGLE LIMIT (Ea accident) \$ 1,000,000
	<input type="checkbox"/> ALL OWNED AUTOS						BODILY INJURY (Per person) \$
	<input checked="" type="checkbox"/> HIRED AUTOS						BODILY INJURY (Per accident) \$
	<input checked="" type="checkbox"/> SCHEDULED AUTOS						PROPERTY DAMAGE (Per accident) \$
	<input checked="" type="checkbox"/> NON-OWNED AUTOS						\$
	<input checked="" type="checkbox"/> UMBRELLA LIAB <input checked="" type="checkbox"/> OCCUR						EACH OCCURRENCE \$
	<input checked="" type="checkbox"/> EXCESS LIAB <input type="checkbox"/> CLAIMS-MADE						AGGREGATE \$
	DED RETENTION \$						\$
	WORKERS COMPENSATION AND EMPLOYERS' LIABILITY						<input checked="" type="checkbox"/> WC STATUTORY LIMITS <input type="checkbox"/> OTHER
	ANY PROPRIETOR/PARTNER/EXECUTIVE OFFICE/MEMBER EXCLUDED? (Mandatory in NH)	Y/N	N/A				E.L. EACH ACCIDENT \$ 1,000,000
	If yes, describe under DESCRIPTION OF OPERATIONS below						E.L. DISEASE - EA EMPLOYEE \$ 1,000,000
							E.L. DISEASE - POLICY LIMIT \$ 1,000,000

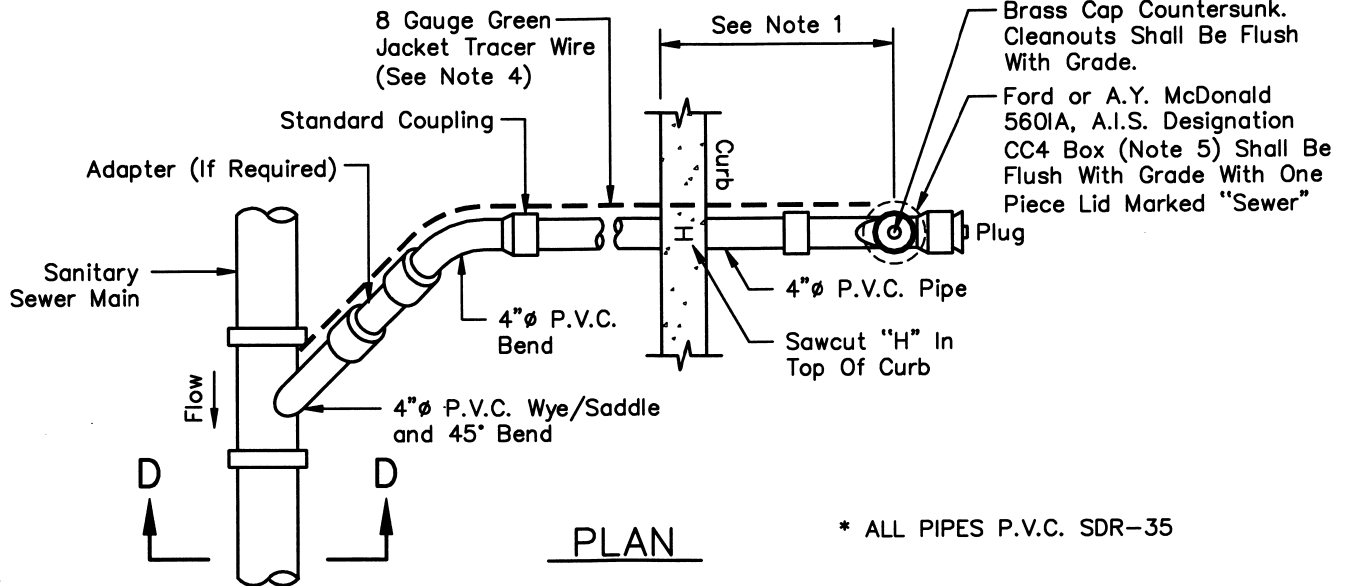
DESCRIPTION OF OPERATIONS / LOCATIONS / VEHICLES (Attach ACORD 101, Additional Remarks Schedule, if more space is required)

LEHMUA and REMINGTON & VERNICK ENGINEERS additional insured

CERTIFICATE HOLDER**CANCELLATION**

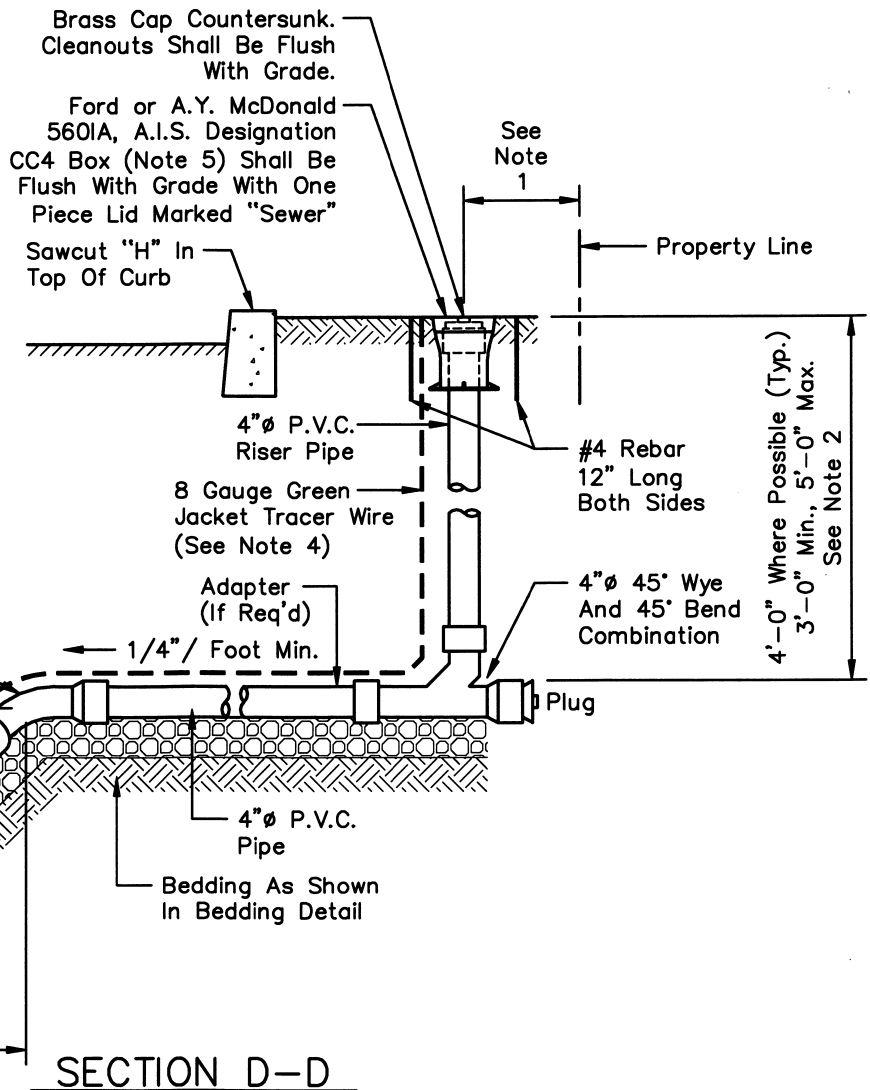
Little Egg Harbor M.U.A
823 Radio Road
Little Egg Harbor, N.J. 08087

SHOULD ANY OF THE ABOVE DESCRIBED POLICIES BE CANCELLED BEFORE THE EXPIRATION DATE THEREOF, NOTICE WILL BE DELIVERED IN ACCORDANCE WITH THE POLICY PROVISIONS.



NOTES:

1. Cleanouts Are To Be Located Two (2) Feet From Curb In The Planter Area (Not In Concrete, Pavers, etc.). Where Curbs Do Not Exist, Place Cleanout One (1) Foot Outside Of Property Line Within The R.O.W.
2. 1/4" Per Foot Slope Governs Over Conflicts With The 3 Foot Min. Cover Dimension.
3. All Couplings, Plugs, And Caps To Be Standard For Type Of Pipe Used And Installation To Be Watertight.
4. 8 Gauge Green Jacket Tracer Wire Must Be Ran From The Tap On The Main Along The Sewer Lateral To The Top Of The Cleanout Lid.
5. CC4 Boxes Shall Be Installed In Driveable Areas Only.



SECTION D-D
TYPICAL 4" SERVICE CONNECTION

**LITTLE EGG HARBOR
MUNICIPAL UTILITIES AUTHORITY**

P.O. BOX 660
LITTLE EGG HARBOR, NEW JERSEY, 08087
PHONE : (609) 296-1168

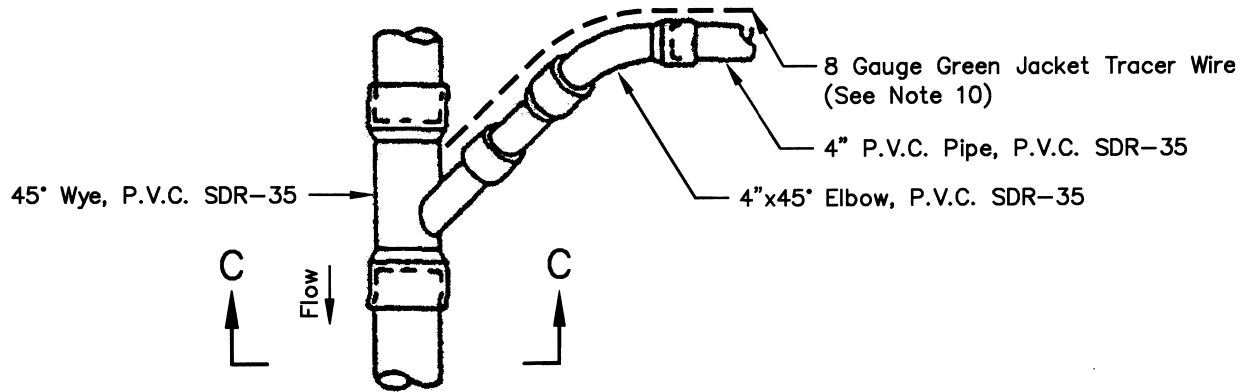


REMINGTON & VERNICK ENGINEERS

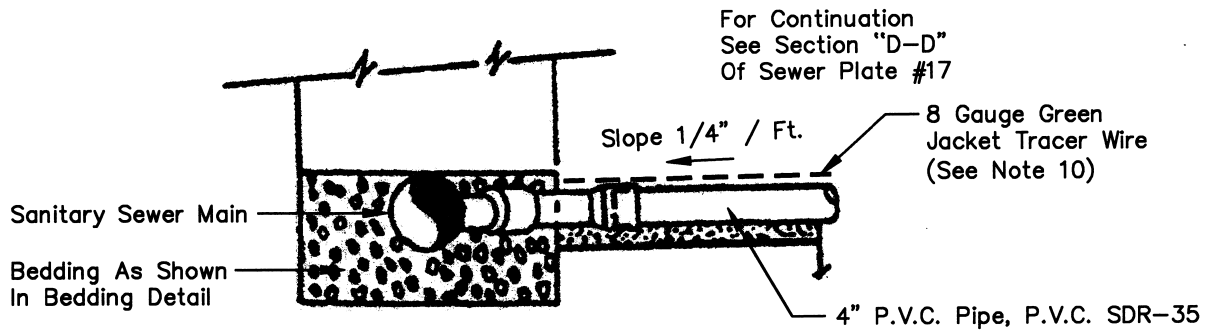
9 ALLEN STREET, TOMS RIVER, NJ 08753
(732) 286-9220, FAX (732) 505-8416, WWW.RVE.COM
Certificate of Authorization: 24 GA 28003300

~ENGINEERING EXCELLENCE~

SCALE: N.T.S.	DATE: 4 / 2022	DRAWN BY: BK	CHECKED BY: ABD	JOB No.: -	PLATE No. 17
				FILE: Sanitary Sewer Details.dwg	



SPECIAL WYE FITTING SERVICE CONNECTION



SECTIONAL ELEVATION "C-C"

TYPICAL 4" SERVICE CONNECTION MODIFIED

NOTES:

1. All Couplings, Plugs And Caps To Be Standard For Type Of Pipe Used And Installation To Be Watertight.
2. 1/4" Per Foot Slope Governs Over Conflicts With The 3 Foot Min. Cover Dimension.
3. Cleanouts Are To Be Located Two (2) Feet From Curb In The Planter Area. Where Curbs Do Not Exist, Place Cleanout One (1) Foot Outside Of Property Line Within The R.O.W.
4. Special Wye Fitting Service Connection Shall Only Be Permitted To Maintain The Three (3) Foot Minimum Cover Dimension.
5. Cleanouts Are Required On All Service Connections.
6. The Site Contractor Shall Extend The Service Piping To The Property Line.
7. Separation Between The Water And Sanitary Sewer Service Connection Shall Be Ten (10) Feet Typical And Five (5) Feet Minimum.
8. Cleanouts Shall Never Be Installed Outside Of The R.O.W. On Private Property And Never In Concrete Or Paved Areas, Including Pavers, Interlocking Blocks, Bricks, Etc.
9. No Connection Shall Be Backfilled Until Written Approval Is Made By The Engineer Or His Representative. Violators Will Be Required To Expose The Work For Inspection Before Acceptance Of The Connection.
10. 8 Gauge Green Jacket Tracer Wire Must Be Ran From The Tap On The Main Along The Sewer Lateral To The Top Of The Cleanout Lid.

**LITTLE EGG HARBOR
MUNICIPAL UTILITIES AUTHORITY**

P.O. BOX 660
LITTLE EGG HARBOR, NEW JERSEY, 08087
PHONE : (609) 296-1168

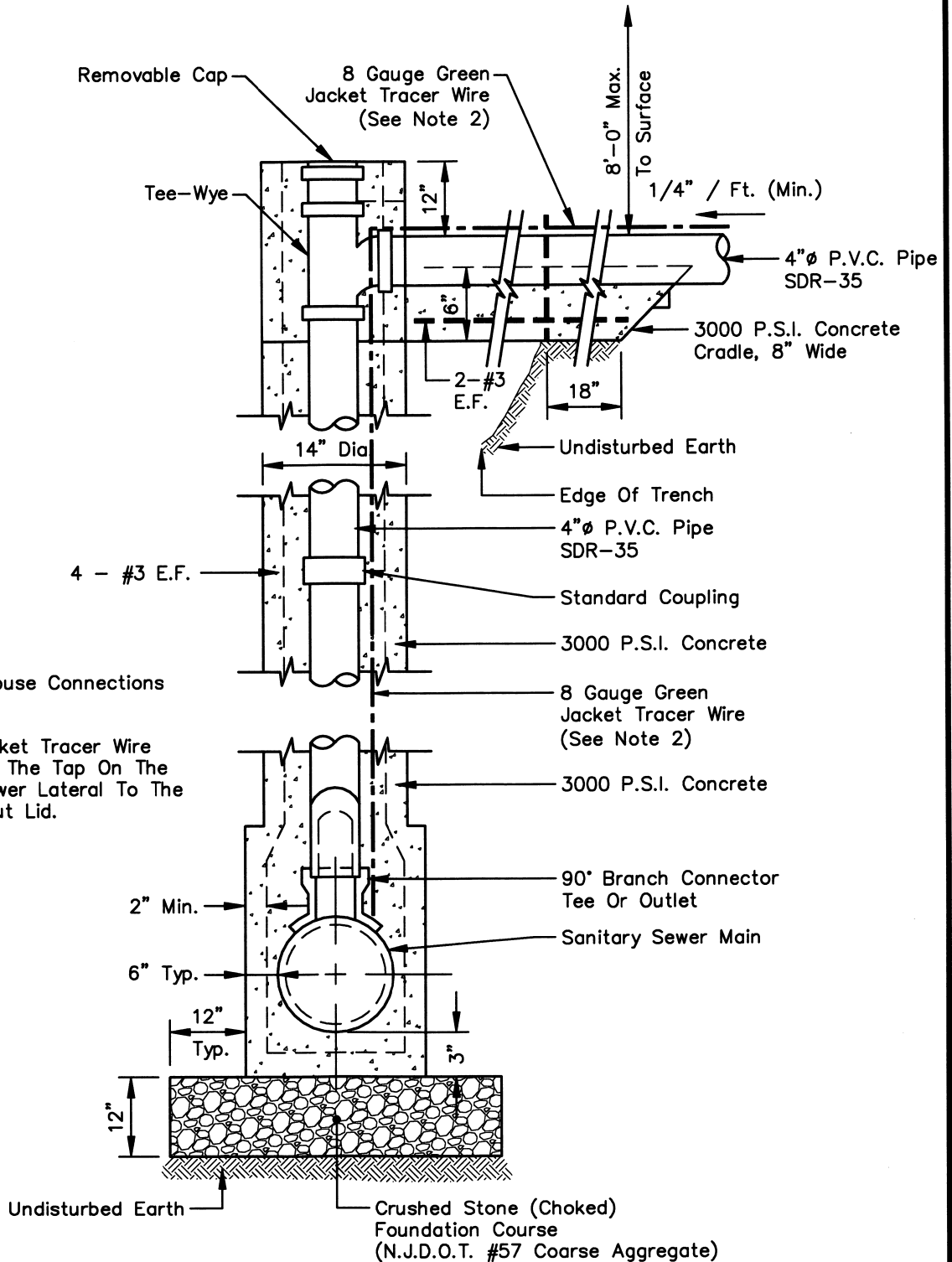


REMINGTON & VERNICK ENGINEERS

9 ALLEN STREET, TOMS RIVER, NJ 08753
(732) 286-9220, FAX (732) 505-8416, WWW.RVE.COM
Certificate of Authorization: 24 GA 28003300

~ENGINEERING EXCELLENCE~

SCALE: N.T.S.	DATE: 4 / 2022	DRAWN BY: BK	CHECKED BY: ABD	JOB No.: -	PLATE No. 18
				FILE: Sanitary Sewer Details.dwg	



NOTES:

1. No Shared Deep House Connections To Be Allowed.
2. 8 Gauge Green Jacket Tracer Wire Must Be Ran From The Tap On The Main Along The Sewer Lateral To The Top Of The Cleanout Lid.

ELEVATION

DEEP SERVICE CONNECTION

LITTLE EGG HARBOR
MUNICIPAL UTILITIES AUTHORITY

P.O. BOX 660
LITTLE EGG HARBOR, NEW JERSEY, 08087
PHONE : (609) 296-1168



REMINGTON & VERNICK ENGINEERS

9 ALLEN STREET, TOMS RIVER, NJ 08753
(732) 286-9220, FAX (732) 505-8416, WWW.RVE.COM
Certificate of Authorization: 24 GA 28003300

~ENGINEERING EXCELLENCE~

SCALE:

N.T.S.

DATE:

4 / 2022

DRAWN BY:

BK

CHECKED BY:

ABD

JOB No.:

FILE: Sanitary Sewer Details.dwg

PLATE No.

19